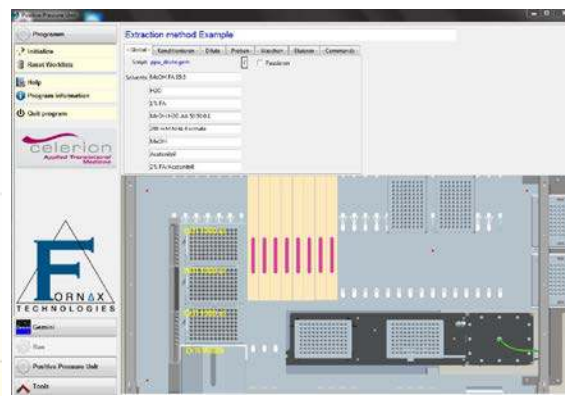


## Positive pressure solid phase extraction (SPE), filtration and evaporation



Base: Tecan EVO® 100 with **Fornax SPE Processor**, LiHA and RoMa



Fornax Technologies GUI (Graphical User Interface) for **Fornax SPE Processor** on Tecan platform

### Purpose:

The Fornax SPE Processor allows automated purification, extraction, filtration and evaporation on Tecan Evo platforms at pressures up to 100 psig (approx. 7 bar) for these applications:

- Solid Phase Extraction e.g. for DNA-Extraction
- Solid Phase Purification e.g. with SOLA SPE cartridges/plates from Thermo Fisher Scientific
- Protein Sample Concentration or Buffer Exchange, e.g. with Amicon Ultra or D-Tube from Millipore or Vivaspin from Sartorius without centrifugation step
- Sterile filtration
- Flexible automated handling of 1 up to 384 samples e.g. single filter tubes up to 96/384 filter plates
- Evaporation

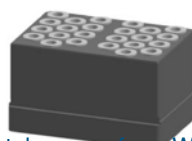
### Advantage compared to vacuum station or centrifugation:

- Simple retrofitting into liquid handler series EVO 100, 150 and 200 from Tecan
- Constant pressure is maintained in each of the cavities, even if only one well position or column are filled.
- Driving force up to 100 psig (approx. 7 bar) is 6 times stronger than vacuum.
- The time required for the automated extraction process is reduced.
- The same constant pressure to every of the x-independent well positions/columns provides reproducible analyte recoveries and a uniform extraction.
- A delimited part of a filter plate or filter column plate can be processed without masking.
- The processor is self-adjusting to labware height.
- Various adapters allow the use of filter plates (e.g. 96 or 384 plates) and filter columns of various formats.
- Optional variable electronic pressure control for extraction provides highest flexibility for different separation steps.

### Labware Examples:



Filter plate

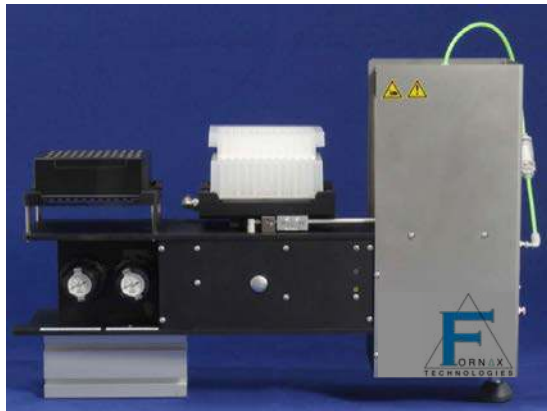


Filter tubes e.g. from Waters OASIS HLB or OASIS WAX

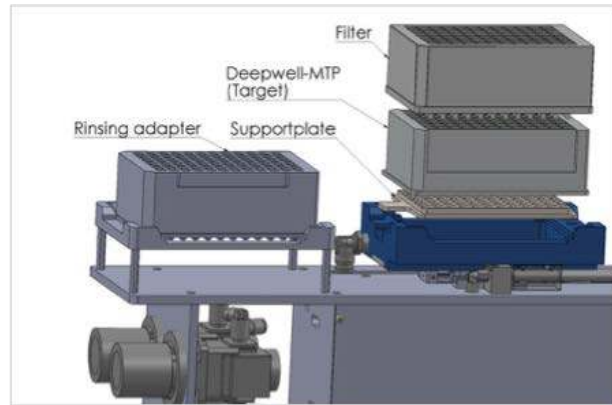


Insets for protein concentration e.g. Vivaspin from Sartorius

## Integration of Fornax SPE Processor into Tecan Freedom EVO® liquid handlers



Fornax SPE Processor



Schematic representation

### References:

On request

## About Fornax Technologies:

### The company:

Fornax Technologies GmbH is a young, flexible medium-sized, family-owned company (with 8 employees), which has been on the market since 2011. As a medium-sized company we can offer services and tailor-made solutions at attractive conditions in Austria, Germany and Switzerland.

### Our Business:

- Engineering and project management for processes to be automated inclusive assay development and trainings.
- We sell refurbished Tecan systems of all kinds with 12, 24 and 36 months warranty including liquid handler, washer, reader etc. inclusive assay development and trainings at customer site.
- We are specialized in maintenance and repairs on Tecan systems with DAkkS certified tools, which we carry out with original parts according to the manufacturer guideline inclusive annual DGUV 3 test (VDE test).
- We sell accessories and customized products for liquid handlers from Tecan.
- We sell Walk-in Sample Stores at -4°C, -20°C, -80°C and -110°C as low cost solutions for bio banks, universities and industries.

– Tecan®, Freedom EVO® and Tecan EVOware® are registered trademarks of Tecan Group Ltd. Männedorf Switzerland, EVO® and Tecan EVOware® are registered trademarks of Tecan Group Ltd. Männedorf Switzerland.  
– OASIS HLB and OASIS WAX are registered trademarks of Waters Corporation.  
– Vivaspin is registered trademark of Sartorius AG.  
– Amicon Ultra is registered trademark of Merck Millipore.  
– SOLA is registered trademark of Thermo Fisher Scientific.